

# TELETOWER

## INSTRUCTION MANUAL

Complies with French regulations

*The instruction manual is part of the product and must be available where the mobile scaffolding is being used.*

*It describes the use of the product as follows: its operation, assembly, modification, moving, dismantling, verification, care and maintenance.*



**Model shown:**  
Working height: 4.00 m  
and folded version

# **INTRODUCTION**

Thank you for purchasing a TELETOWER.

The TELETOWER is a rolling scaffold used by professionals to work at height safely. It requires only one operator to be assembled and disassembled. It is designed to be used by one person only on a level floor.

The TELETOWER complies with French regulations, integrated into the Labour Code.

TELETOWER is made up of a structure, a top and aluminium plinths with an anodised finish. It is built to be resistant to the most rigorous handling and working conditions. The base can be accessed through the interior.

**Please keep these instructions in a safe place for future reference.**

## **IMPORTANT SAFETY INFORMATION**



**WARNING. For your safety, please read all safety instructions in this manual before mounting or using the TELETOWER.**

---

**IMPORTANT. Always install the TELETOWER in accordance with the instructions given in this manual and on the labels attached to the TELETOWER.**

**IMPORTANT. As with all scaffolding, users must be trained in the use of the TELETOWER. Training is compulsory for employees of public and private companies and self-employed individuals. The user training courses cannot replace the instruction manuals but only add to them.**

**IMPORTANT. Never leave the scaffold in an unattended state of use. If necessary, dismantle and store the scaffold.**

### **Cleaning**

- Do not use abrasive products or chemical solvents.
- Occasionally clean with a soft brush and wipe with a damp cloth.  
We recommend spraying the upright posts from time to time with silicone.
- The castors should be cleaned with a damp sponge and dried afterwards.

### **How should I dispose of this product?**

When the equipment has reached the end of its useful life, please contact your nearest recycling centre to recycle your product.

### **MAINTENANCE AND SPARE PARTS**

We offer a complete set of spare parts the form of a kit.

For more information on maintenance and spare parts, see page 35.

# Table of contents

INTRODUCTION.....	Page 2
IMPORTANT SAFETY INFORMATION.....	Page 2
MAIN CHARACTERISTICS.....	Page 5
IN THE BOX.....	Page 6
TO START.....	Page 7
1. INSTALL THE GUARDRAILS.....	Page 9
2. INSTALL THE TOP.....	Page 12
3. INSTALLING THE PLINTHS.....	Page 14
4. INSTALLING THE BRACES.....	Page 15
5. ADJUSTING THE BASE HEIGHT.....	Page 17
Base at 1.00m height.....	Page 18
Base at 1.25m height.....	Page 19
Base at 1.50m height.....	Page 20
Base at 1.75m height.....	Page 22
Base at 2.00m height.....	Page 24
6. FOLDING THE TELETOWER.....	Page 27
7. PODIUM.....	Page 30
SAFETY INSTRUCTIONS.....	Page 32
GUARANTEE.....	Page 34
IDENTIFIED TELETOWER COMPONENTS.....	Page 35

## MAIN SAFETY INSTRUCTIONS



**WARNING.** Although it is possible to assemble the TELETOWER with the base already in place, it is strongly recommended to ALWAYS install the base once the TELETOWER is assembled at the required height.



**WARNING.** The base should ALWAYS be removed before lowering the TELETOWER.



**WARNING.** When you want to change the height of the base, it is recommended that you remove it, lower the TELETOWER to a base height of 1 metre, and then follow the procedure for assembling it at the required height.



**WARNING.** Do not use the TELETOWER if it shows signs of damage.



**WARNING.** Maximum number of users: 1 person.



**WARNING.** Do not exceed the maximum load of 150kg.



**WARNING.** NEVER release both buttons on a bar at the same time.



**WARNING.** NEVER place your hand or fingers between the bars during handling.



**WARNING.** Always wear a protective helmet and the necessary Personal Protective Equipment needed when assembling or folding the TELETOWER (see instructions of p. 32).

# MAIN CHARACTERISTICS

Technical specifications	TELETOWER
Security ★	Decree 2004-924 of 1/09/04
Material	Anodised aluminium
Maximum working height	4.00 m
Number of working heights	7
Adjustments	Every 25 cm
Mounted dimensions (stabilisers folded)	1.50 x 0.92
Mounted dimensions (stabilisers unfolded)	2.00 x 1.65
Folded dimensions	H. 1.10 m - Width 0.80 m - Depth 0.45 m
Useful base area	1.40 x 0.60 m
Maximum base load	150 kg
Total weight (including plinths)	59.5 kg
Diameter of castors	100 mm
Diameter of upright posts	Mini: 44 mm at Max: 68 mm



Non-contractual photos



### • Weight Details:

- Main body: 42.5 kg
- Top: 14kg
- Plinths + transport bag: 3kg
- = Total of 59.5kg

### • Mounted product dimensions (stabilisers unfolded):

Base height	Dimensions
2.00m	2.94 x 2.00 x 1.65 m
1.75m	2.69 x 2.00 x 1.65 m
1.50m	2.44 x 2.00 x 1.65 m
1.25m	2.19 x 2.00 x 1.65 m
1.00m	1.94 x 2.00 x 1.65 m
0.61m	1.46 x 2.00 x 1.65 m
0.33m	1.46 x 2.00 x 1.65 m

**N.B.** We reserve the right to change the specifications and design without notice to improve performance and quality.

## IN THE BOX

Carefully remove your TELETOWER from its box.

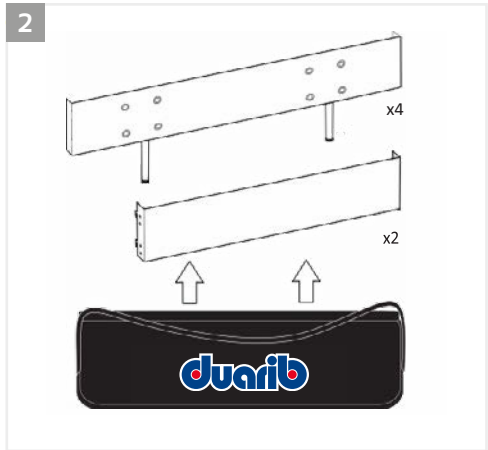
We recommend that you retain this packaging in case you need to return this product under warranty.

## EQUIPMENT AND ACCESSORIES SUPPLIED

The TELETOWER is supplied in one model: TTA02TB. The illustrations below are that of model TTA02TB ('TB' indicates that it is supplied with plinths).

The product reference is: 30100600

- 1 Scaffolding and folded top
- 2 Plinths (6) with transport bag
- 3 User and reference manual
- 4 Castors
- 5 Stabilisers (x4) + 1 key for assembling the castors on the stabilisers.



# TO START

## BLOCKING INDICATOR BUTTONS

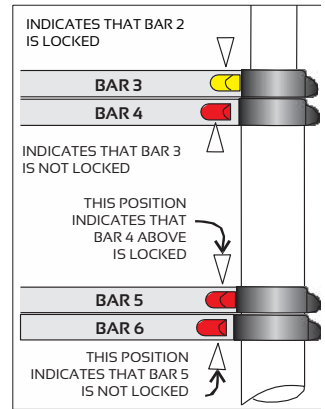
The buttons at each end of the bars are used to lock and unlock the bar mechanism to the upright posts. At all height adjustments, the yellow knobs must always be in the locked position.

### Red and yellow buttons

- The yellow buttons are used to lock and unlock the height of the railing: BAR 2 as a sub-rail and BAR 3 for the height of the platform (see pages 9 and 10).
- The red buttons are used to lock and unlock the height of bars 4 to 7.

At the 2 metre height setting, all yellow and red buttons should be in the locked position.

Locking is automatic when the upper level is raised. The locking click is audible and visible as shown in the diagram opposite.



The scaffold is folded by unlocking the end buttons.

The yellow buttons act in the same way as the red buttons and are used when folding the TELETOWER. The yellow release buttons are located at each end of the bars labelled BAR 2 and BAR 3. These buttons are used to fold up the guardrail section.

## CASTORS/STABILISERS

The castors and adjustable stabilisers are to be assembled with the key provided.

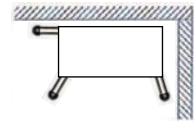
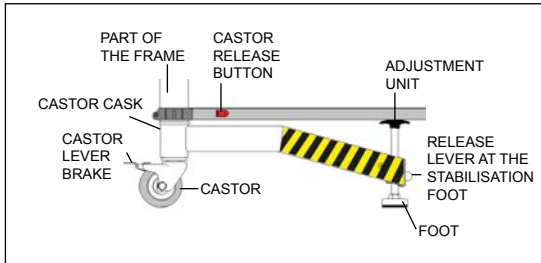
This is stored in the plinth transport bag. The stabilisers are rotatable and can be locked in one of 3 stabilisation positions at 60 degree intervals + 1 storage position. Adjust the levers to ensure stability on any uneven surface.



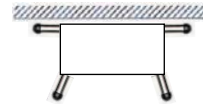
## Install the castors

Please install the castors as follows:

1. Carefully place the folded scaffold in a horizontal position on the ground or on a bench.
2. Slide the stabiliser cask with its roller into the upright base post and raise the adjustment lever.
3. Push the red button on BAR 9 and position the stabiliser with its wheel in storage mode (along BAR 9).
4. Repeat this procedure for the other castors.
5. Make sure that all four knobs are in the locked position, then straighten the scaffold on its four castors.



Examples of stabiliser configurations



## Use the stabilisers on the ground

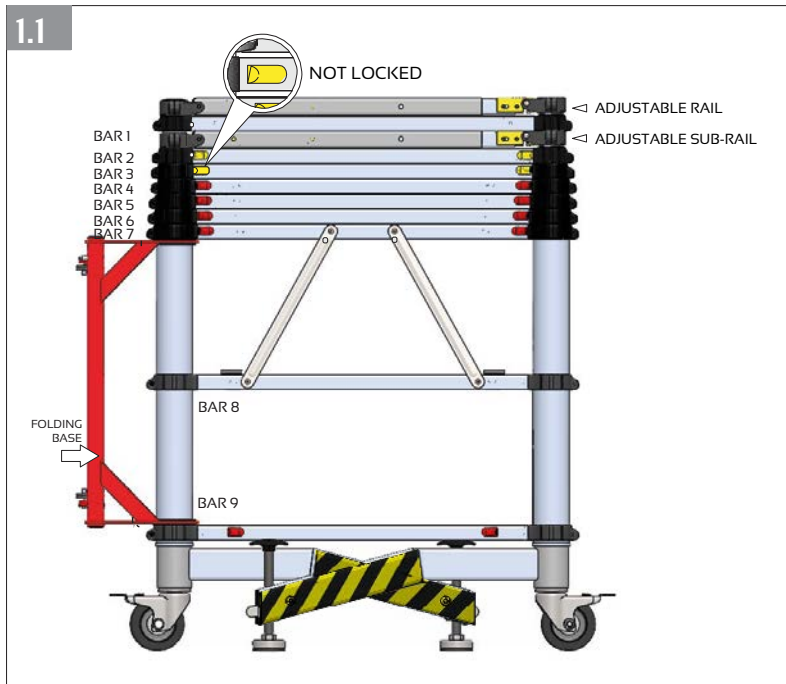
The floor stabilisers should be deployed when the TELETOWER has been fully assembled at the desired base height.

1. Release the castors via the red button on BAR 9 and place them in their position. A click is heard.
2. Lock the castors by pressing the brake lever with your foot.
3. Adjust the foot lever of each stabiliser to ensure the stability of the scaffold.
4. Ensure that the castors and floor stabilisers are securely locked before using the TELETOWER.

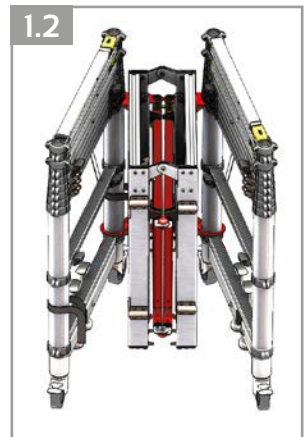


# 1. INSTALL THE GUARDRAILS

This procedure starts when the TELETOWER is fully folded and the castors are installed as shown in Figure 1.1.

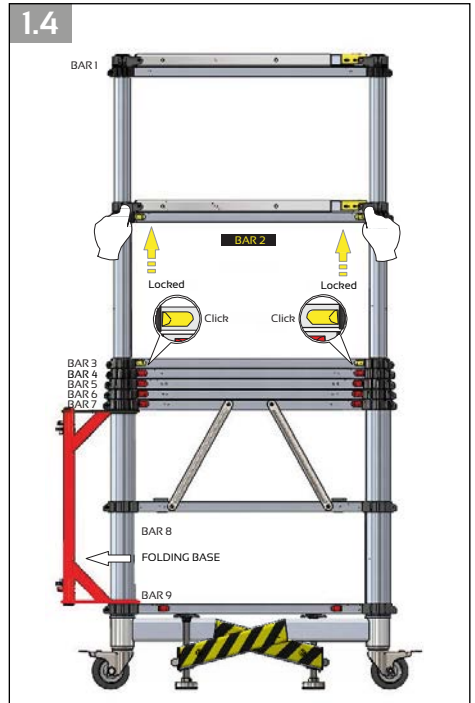
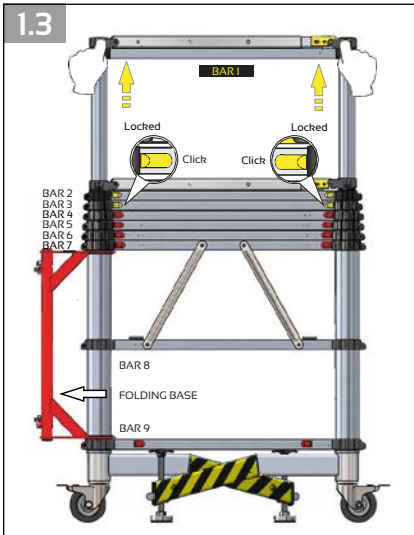


1. Check that the castors are unlocked and that the castors can turn freely.
2. Untie the two straps around the upright posts of the vertical base.
3. Spread the upright posts slightly as shown in Figure 1.2.
4. Lift and remove the folded base and set it aside.
5. Unfold the TELETOWER and straighten the steel folding base painted in red, keeping the side frames parallel until it locks. You will hear it click into place. Check that the base is locked.
6. Position the two side frames at 90° to the folding base.
7. Lock the four castors by pressing the brake levers with your foot and deploy the stabilisers (see page 8).



# LIFT

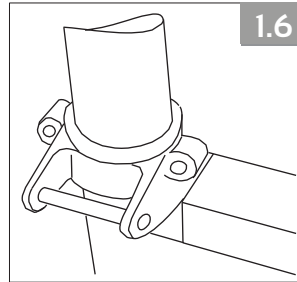
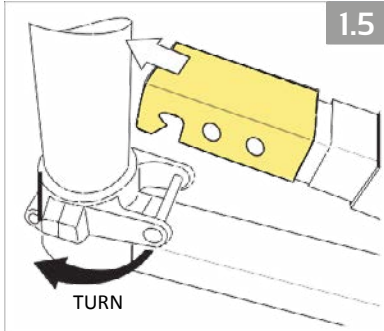
1. Setting the height of the rail: place one foot on BAR 9 and lift BAR 1 by both ends until the yellow buttons on BAR 2 lock. You will hear the clicks, see Figure 1.3.



2. Setting the height of the sub-rails: place one foot on BAR 9 and lift BAR 2 by both ends until the yellow buttons on BAR 3 lock. You will hear the clicks, see Figure 1.4.
3. Repeat steps (1) and (2) on the opposite frame of the TELETOWER.

## RAILS & SUB-RAILS

1. To remove a rail from its anchorage point, push the yellow sleeve towards the end of the rail and lift it up, see Figure 1.5, and let it hang down the upright post.
2. Turn the collar a quarter turn, facing the opposite ladder, see Figure 1.6.
3. Repeat steps (1) and (2) for the other rail and the two sub-rails.



4. Unfold and lock the rail to its anchorage point (on the opposite collar).  
To lock it, push the yellow sleeve towards the end and ensure that the four yellow balls are visible.
5. Repeat step 4 for the other rail and the two sub-rails.

See below for the assembled guardrails, Figure 1.7.



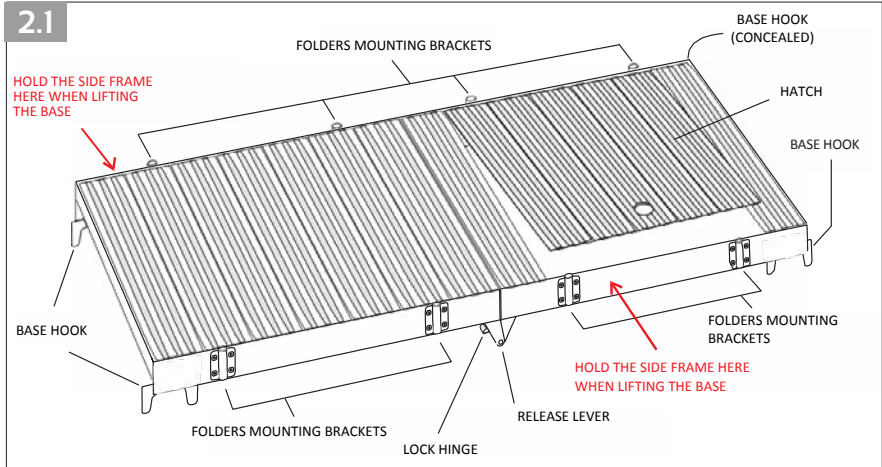
## 2. INSTALL THE BASE

**BAR 3** Always place the top at this level **1.00m**



**WARNING.** The base should ALWAYS be assembled on BAR 3 except when the TELETOWER is used in "PODIUM" mode.

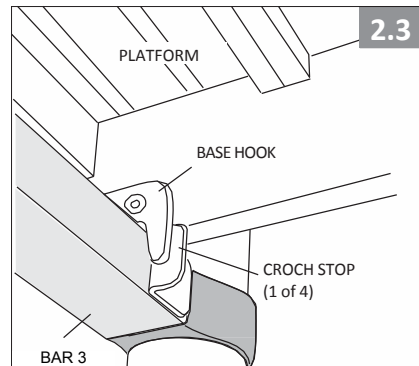
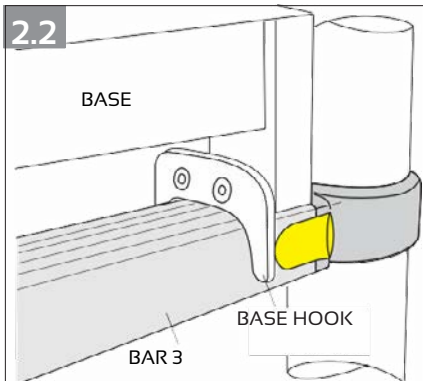
1. Unfold the base completely until it is straight (see figure 2.1). It will automatically lock in the open position. Ensure that it is locked.



2. The four hooks attached to the end of the tray should be fitted between the yellow lock (see Figure 2.2) and the inner stop (see Figure 2.3). Ensure the correct position of the base on BARS 3.

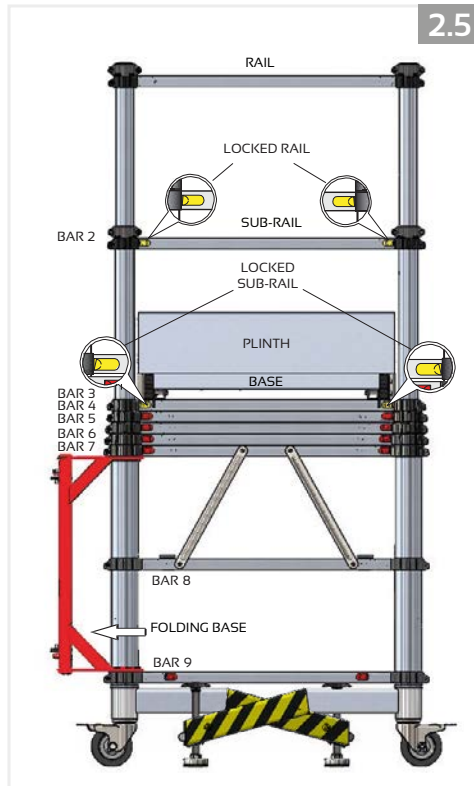
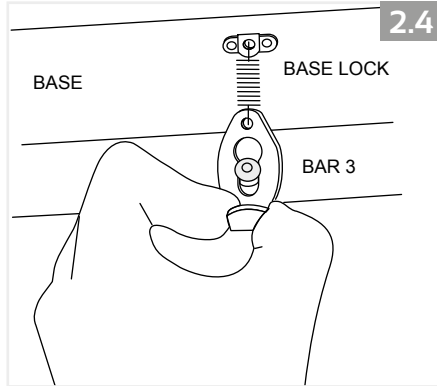


**WARNING.** When lifting the top, only hold the side frames. Be careful NOT to hold it up to the hatch as it may open. This will open if you try to support the weight of the base at this point. Be careful NOT to hold the top at the central locking hinge as it may close and cause a pinch.



3. Secure the top to the BARS 3 by pulling the tab on the locking rod of the two anti-lift locks located at both ends of the top (see Figure 2.4).  
Install the three sets of six plinths as described in Chapter 2 on page 14.

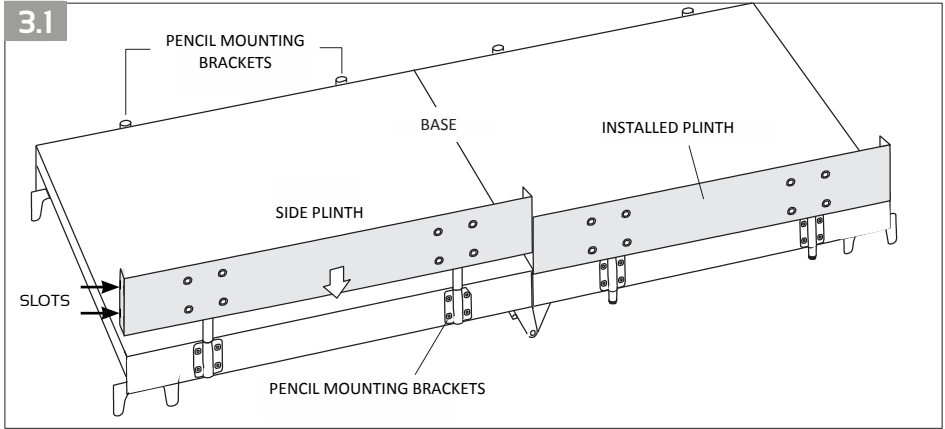
4. The base is at 1 metre, see Figure 2.5.



### 3. INSTALLING THE PLINTHS

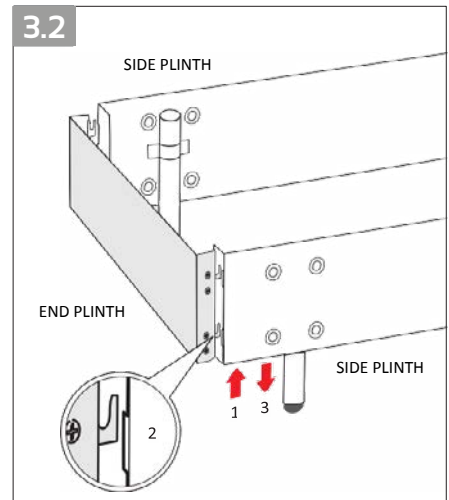
Three models of plinths are delivered in a canvas bag and ready to use:

- two side plinths on the trap side with pins
- two side plinths with pins
- two end plinths with fixing hooks.



#### **Installation of the plinths:**

1. Engage the side plinth in the top by sliding the two pins into their fixing brackets (see Figure 3.1).
2. Do the same for the other three plinths. Ensure that the slots face the end of the top.
3. Installation of the end plinths: Slightly lift the two side plinths (No. 1 in Figure 3.2) and guide the hooks of the end plinth into the slots of the side plinths (No. 2 in Figure 3.2). Lower the rear side plinths (No. 3 in Figure 3.2) for a good fit.
4. Do the same for the other three end plinths. The installation of the floor is complete.

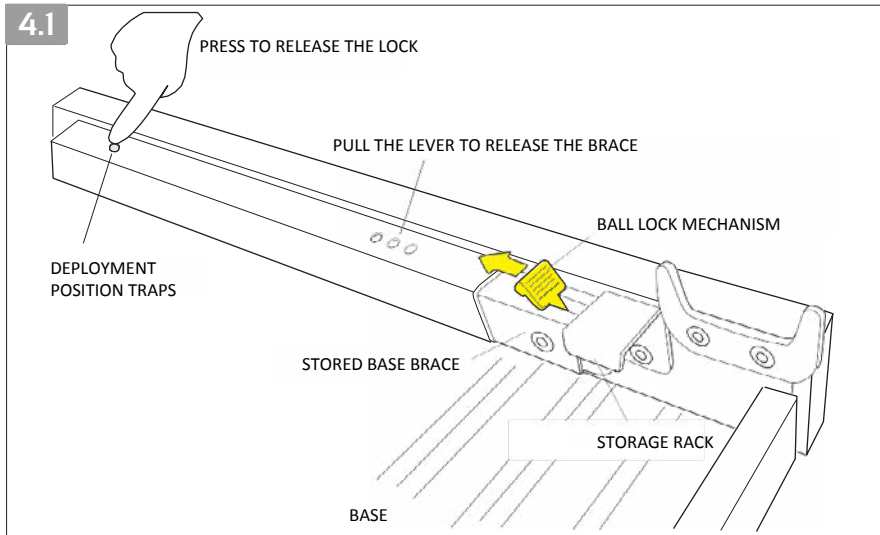


## 4. INSTALLING THE BRACES

The tray is fitted with four diagonal braces that are mounted on the underside of the top, see Figure 4.1.

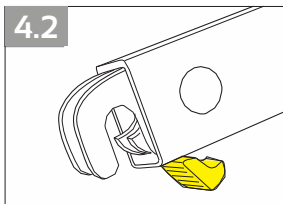


**WARNING. Base braces MUST be used when the base height is 1.50 metres or more.**



The braces are stored and locked under the top (see Figure 4.1).

The ball and spring locking mechanism holds the brace in the stowed and extended position (see Figure 4.2).



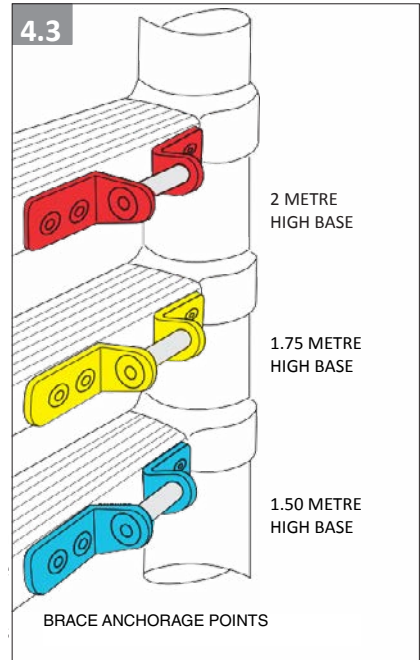
To release them, press the locking ball and pull the yellow lever (see Figure 4.1). Attach the telescopic diagonal to its anchorage point:

- For the 2m high base, use the red anchorage point on BAR 5 (see Figure 4.3). The colour of the trap should be red (see Figure 4.5).
- For the 1.75m high base, use the yellow anchorage point on BAR 6 (see Figure 4.3). The colour of the trap should be yellow (see Figure 4.5).
- For the 1.50m high base, use the blue anchorage point on BAR 7 (see Figure 4.3). The colour of the trap should be blue (see Figure 4.5).

Push the end of the brace firmly onto its anchor point and check that it is secure.

Repeat this process for the other 3 braces.

Figure 4.4 shows an example of a diagonal spread when the floor is 1.75 metres high.



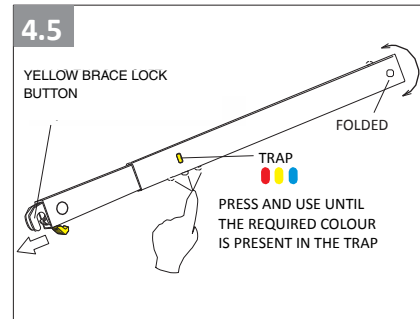
## STORING THE BRACES

To store a base brace, press the yellow lever at the end of the brace and lift the end out of the anchorage point.

Press the locking ball to retract the braces and store them in the slot under the top.

To unlock and lock the brace hook, press the yellow lock button (See Figure 4.5).

You may need to repeat this operation several times depending on the length of the braces.





## 5. ADJUSTING THE BASE HEIGHT

Be sure to determine the base height you need.



**WARNING.** Although it is possible to assemble the TELETOWER with the base already in place, it is strongly recommended to **ALWAYS** install the base once the TELETOWER is assembled at the required height.



**WARNING.** The base should **ALWAYS** be removed before lowering the TELETOWER.



**WARNING.** When you want to change the base height, lower the TELETOWER to 1 metre, then proceed to the desired level.



**WARNING.** The top should always be installed on **BARS 3** for heights from 1 metre to 2 metres.

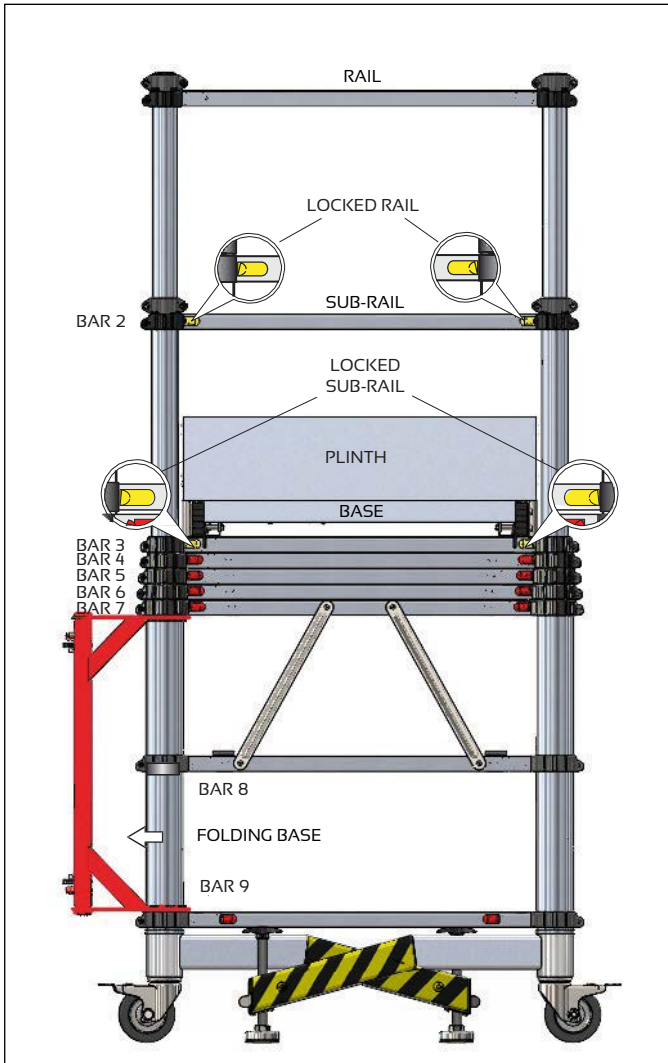
BAR  
**3** Always place the top  
at this level **1.00m**

- For a 1 metre high base, see the procedure described on page 18.
- For a 1.25 metre high base, see the procedure described on page 19.
- For a 1.50 metre high base, see the procedure described on page 20.
- For a 1.75 metre high base, see the procedure described on page 22.
- For a 2.00 metre high base, see the procedure described on page 24.

# 1 METRE HIGH BASE

**BAR 3** Always place the top at this level **1.00m**

1. As shown in the picture below, mount the guardrail (see pages 9 to 11).
2. Position the base on BAR 3 (see pages 12 and 13).
3. Installing the plinths (see page 14).
4. Use the stabilisers on the ground (see page 8).



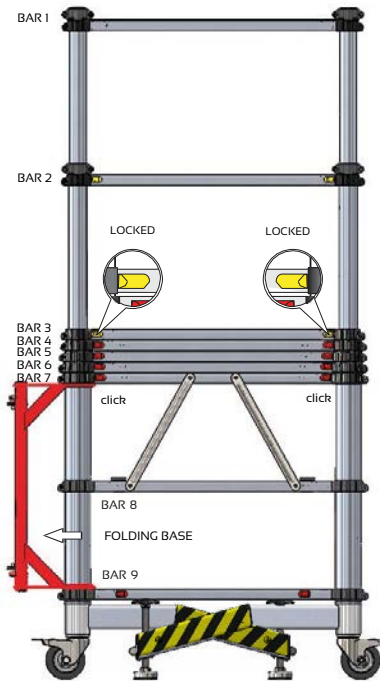
## 1.25 METRE HIGH BASE

**BAR 6** Top height: 1.25 m  
Lift this bar

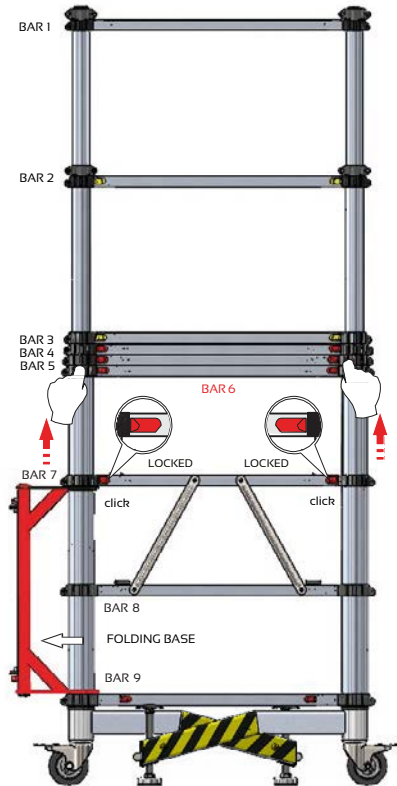
As shown in the images below:

1. Install the guardrails (see pages 9 and 11).
2. Place the foot on BAR 9 and lift BAR 6 to engage the locking mechanism on BAR 7.
3. Position the base on BAR 3 (see pages 12 and 13).
4. Installing the plinths (see page 14).
5. Use the stabilisers on the ground (see page 8).

Step 1



Step 2



## 1.50 METRE HIGH BASE



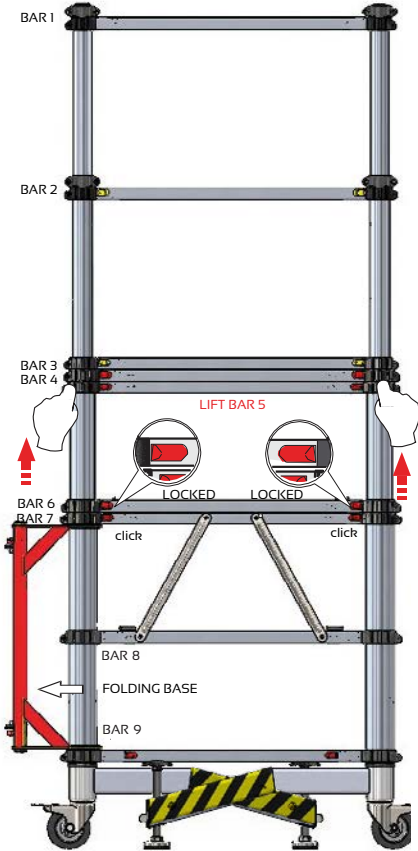
As shown in the images page 21:

1. Install the guardrails (see pages 9 and 11).
2. Place the foot on BAR 9 then:
3. Raise BAR 5 on the LEFT frame and then on the RIGHT frame until it is locked.
4. Raise BAR 6 on the LEFT frame and then on the RIGHT frame until it is locked.
5. Position the top on BAR 3 (see pages 12, 13 and 17).
6. Extend and secure the base braces to the **BLUE** anchorage points (BAR 7), see pages 15 and 16.
7. Install the plinths as described on page 14.
8. Deploy the ground stabilisers as described on page 8.

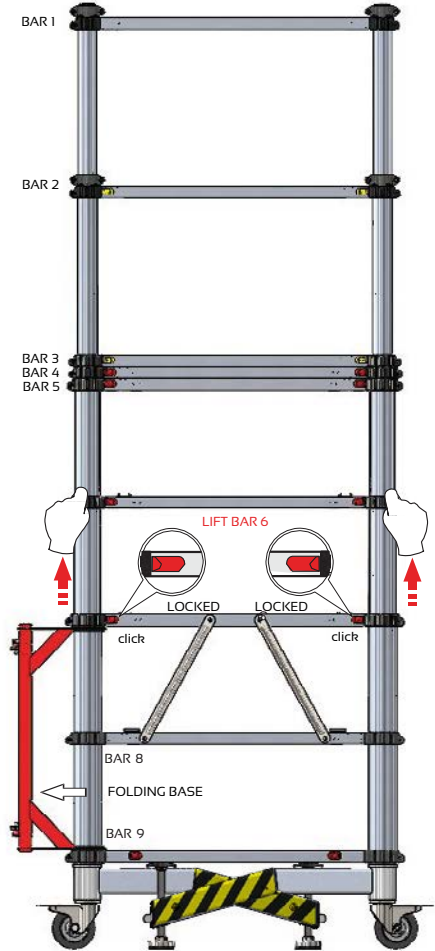
# 1.50 METRE HIGH BASE

**BAR 5** Top height: 1.50 m  
Lift this bar, then bar 6

### Step 1



### Step 2

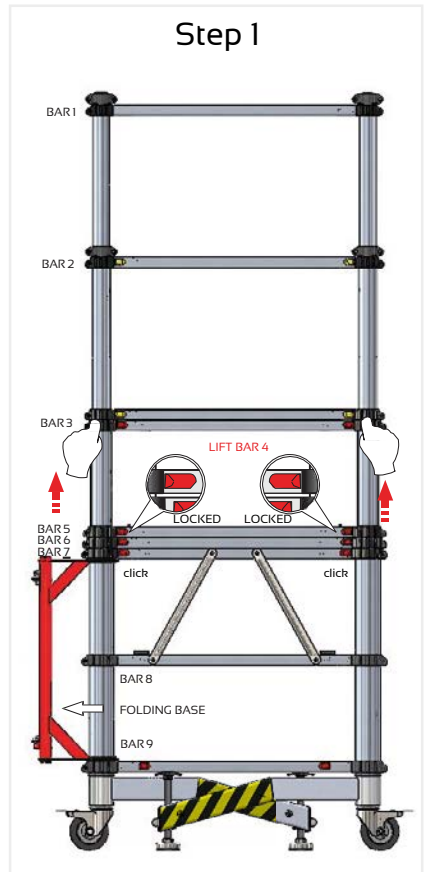


## 1.75 METRE HIGH BASE

**BAR**  
**4** Top height: 1.75 m  
Lift this bar, then bars 5&6

As shown in the images pages 22 and 23:

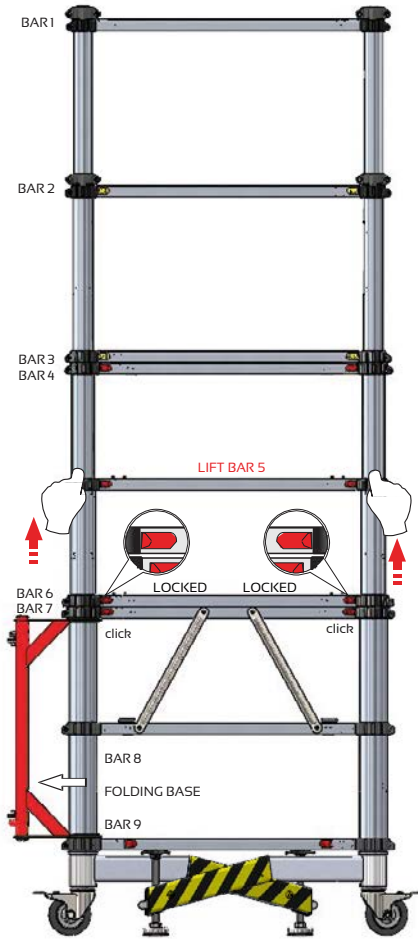
1. Install the guardrails (see pages 9 and 11).
2. Place the foot on BAR 9 then:
3. Raise BAR 4 on the LEFT frame and then on the RIGHT frame until it is locked.
4. Raise BAR 5 on the LEFT frame and then on the RIGHT frame until it is locked.
5. Raise BAR 6 on the LEFT frame and then on the RIGHT frame until it is locked.
6. Position the top on BAR 3 (see pages 12, 13 and 17).
7. Extend and secure the base braces to the **YELLOW** anchorage points (BAR 6), see pages 15 and 16.
8. Install the plinths as described on page 14.
9. Deploy the ground stabilisers as described on page 8.



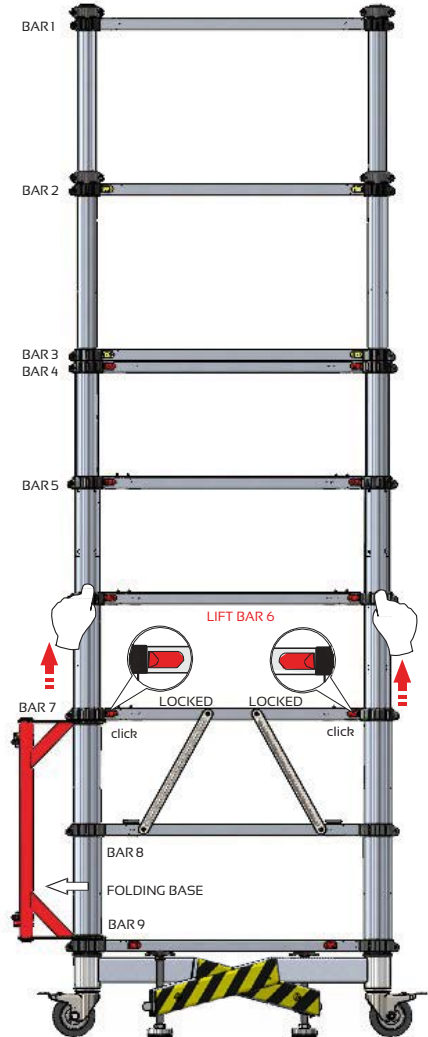
# 1.75 METRE HIGH BASE

**BAR 4** Top height: 1.75 m  
Lift this bar, then bars 5&6

## Step 2



## Step 3



## 2 METRE HIGH BASE



As shown in the images pages 25 and 26:

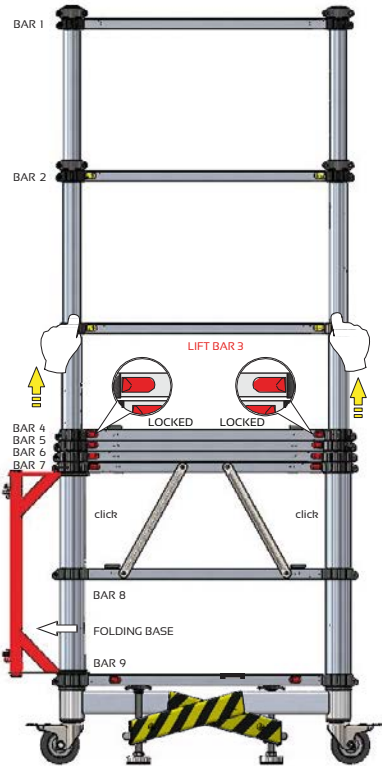
1. Install the guardrails (see pages 9 and 11).
2. Place the foot on BAR 9 then:
3. Raise BAR 3 on the LEFT frame and then on the RIGHT frame until it is locked.
4. Raise BAR 4 on the LEFT frame and then on the RIGHT frame until it is locked.
5. Raise BAR 5 on the LEFT frame and then on the RIGHT frame until it is locked.
6. Raise BAR 6 on the LEFT frame and then on the RIGHT frame until it is locked.
7. Position the top on BAR 3 (see pages 12, 13 and 17).
8. Extend and secure the base braces to the **RED** anchorage points (BAR 5), see pages 15 and 16.
9. Install the plinths as described on page 14.
10. Deploy the ground stabilisers as described on page 8.



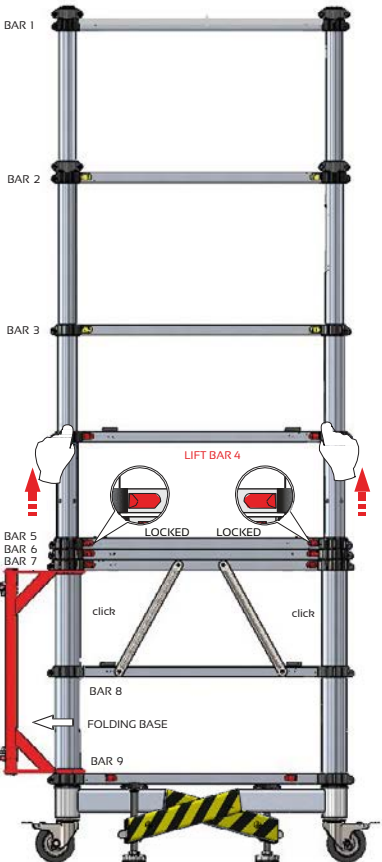
# 2 METRE HIGH BASE

**BAR 7** Top height: 2.00 m  
Extend bars 3,4,5 & 6

### Step 1



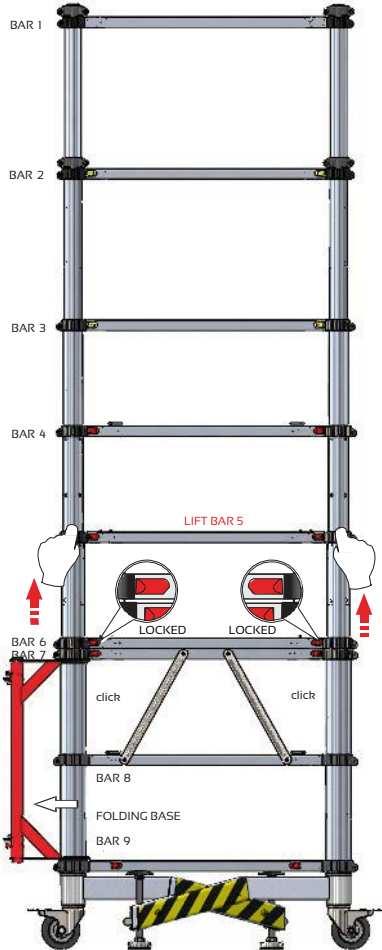
### Step 2



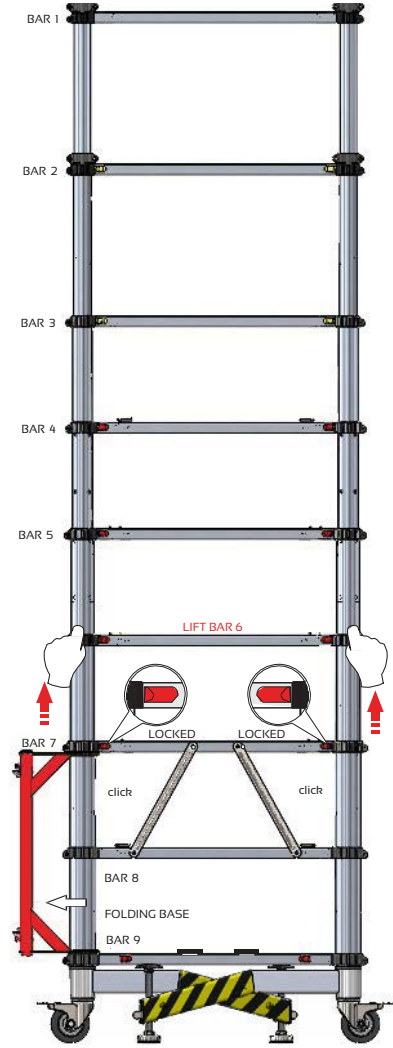
# 2 METRE HIGH BASE

**BAR 7** Top height: 2.00 m  
Extend bars 3,4,5 & 6

### Step 3



### Step 4



## **6. FOLDING THE TELETOWER**



**WARNING.** The base should **ALWAYS** be removed before folding back up the **TELETOWER**.

1. Remove tools or other objects from the base.
2. Remove the plinths and store them in their bag.
3. Detach and fold the four platform braces and store them under the top (see page 16).
4. Release the two spring locks that hold the base in place attached to BAR 3.
5. Remove the base from BARS 3.



**WARNING.** To fold the **TELETOWER**, always start with **BAR 7**.

**DON'T FORGET.** The red and yellow buttons work as follows:

- The buttons on BAR 7 release the locking mechanism on BAR 6, which allows BAR 6 and all the bars above it to descend.
- The buttons on BAR 6 release the locking mechanism on BAR 5, which allows BAR 5 and all the bars above it to descend.
- The buttons on BAR 5 release the locking mechanism on BAR 4, which allows BAR 4 and all the bars above it to descend.
- The buttons on BAR 4 release the locking mechanism on BAR 3, which allows BAR 3 and all the bars above it to descend.
- The buttons on BAR 3 release the locking mechanism on BAR 2, which allows BAR 2 and all the bars above it to descend.
- The buttons on BAR 2 release the locking mechanism on BAR 1, which allows BAR 1 and all the bars above it to descend.



**WARNING. NEVER release both buttons on a bar at the same time.**

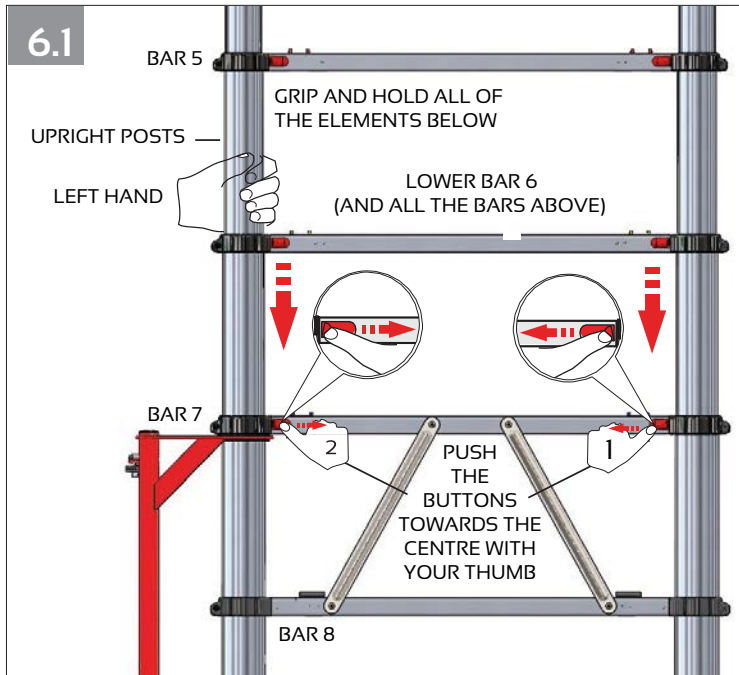


**WARNING. NEVER place your hand or fingers on rungs that are lowered onto another bar or onto which the other bars are lowered.**

The following procedure applies to a base positioned at a height of 2 metres.

**Step 1** (On the left frame)

- (a) With your left hand, hold the upright post above BAR 6 on the left hand upright, be prepared to support the weight of this bar and the bars above it, see Figure 6.1.
- (b) On BAR 7, push the right-hand knob towards the centre of BAR 7 and release.
- (c) While still holding the post above BAR 6, push the left-hand button of BAR 7 towards the centre, then release the button and gently lower BAR 6 onto BAR 7.
- (d) Repeat step 1 (a) to (c) on the right frame.



**Step 2** Repeat Step 1 for BAR 5, but release the buttons on BAR 6.

**Step 3** Repeat Step 1 for BAR 4, but release the buttons on BAR 5.

**Step 4** Repeat Step 1 for BAR 3, but release the buttons on BAR 4.

**Step 5** To fold the railings, proceed as described on pages 9 to 11 but in reverse.

*Once the guardrails are folded down:*

**Step 6** Repeat Step 1 for BAR 2, but release the buttons on BAR 3.

**Step 7** (on the right frame)

- (a) With your left hand, hold the BAR 1 on the right frame and be prepared to support the weight of this bar.
- (b) On BAR 2, push the right-hand knob towards the centre of BAR 2 and release.
- (c) While still holding BAR 1, push the left-hand button of BAR 2 towards the centre, then release the button and gently lower BAR 1 onto BAR 2.
- (d) Repeat step 7 (a) to (c) on the left frame.

## **7. PODIUM**

The Podium version can be adjusted to two heights, 61 cm and 33 cm as shown in Figure 7.1 and Figure 7.2 on page 31.

### **INSTALLING THE PODIUM**

*This installation corresponds to the fully folded position of the TELE TOWER with the castors mounted.*

1. Check that the castors are unlocked and that the castors can turn freely.
2. Loosen the two straps attached around the frames that keep the equipment folded and spread the side posts slightly at the front.
3. Lift and remove the folded base and set it aside.
4. Unfold all the upright posts and straighten the folding base until it locks into place. You will hear it click into place. Check that the folding base is locked.
5. Rotate both frames so that they are each at a 90 degree angle to the folding base, then lock both castors to the left frame only by pressing the brake lever with your foot.
6. Now move the right frame slightly outwards. This will help you to place the base positioning hooks on either BAR 8 or BAR 9 depending on the height required for the podium.
7. Unfold the base completely until it is straight. It will automatically lock in the straight position. Check that it has locked in this position. The base has four positioning hooks installed near each corner on the lower side respectively, these are installed on the bar to hold the base in position. The base can be installed on either BAR 9 (for a platform height of 33 cm) or BAR 8 (for a platform height of 61 cm) depending on the height required.



**WARNING. When lifting the platform, take care NOT to hold it by the bottom panel which contains a trap door. This will open if you try to support the weight of the base at this point.**

8. Support the base and place the left end on the required bar on the left frame. Hold the opposite end of the floor and pull the frame straight towards it, then lower the base onto either BAR 8 or BAR 9 depending on the platform height you have chosen. Check that the positioning hooks rest correctly on the chosen bar.
9. See OPTION 1 Figure 7.1 or OPTION 2 Figure 7.2 on the next page which illustrate the base mounted.

### **OPTION 1 and OPTION 2**

1. Hold both ends of BAR 1 and place one foot on BAR 9.
2. Lift BAR 1 until it locks into place. You will hear a click when it locks. This raises the rail.
3. Repeat steps (1) and (2) on the opposite frame.

4. Hold the yellow sleeve at the end of the rear sub-rail with thumb and fingers and push it towards its end. Hold the sleeve in this position while you lift the end off its anchor point.
5. Turn the anchor point 90 degrees to face the opposite frame.
6. Turn the end of the rail towards the opposite frame.  
See Figures 1.5 and 1.6 on page 11.
7. Extend the boom until you hear two clicks. This indicates that the 3-part rail has been locked in the extended position. Taking the necessary precautions, let the rail hang and rest on the base.
8. Repeat steps (4) to (7) for the rear rail.
9. Repeat steps (4) to (7) for the front sub-rail and the front rail to complete the installation of the guardrails.



7.1



7.2

#### Ground stabilisers (for both options)

1. Unlock the castors and move the podium to its working position.
2. Lock the castors by pressing the brake lever with your foot.
3. On BAR 9, push the red button and position the stabiliser until it locks. (Stabilise according to the instructions on pages 7 and 8).
4. Repeat this procedure for the three other stabilisers.



**WARNING.** Ensure that the castors and floor stabilisers are securely locked before using the podium.

#### During use

To get on the Podium:

1. Detach the front rail and the front sub-rail.
2. Climb onto the base, taking all necessary precautions.
3. Replace the front rail and the sub-rail.

## Care and maintenance

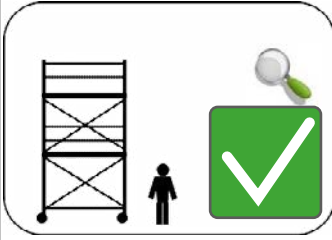
- Before the scaffold is used in a professional setting, a risk analysis must be carried out in accordance with the legislation of the country of use.

Before any operation, an inspection of the scaffolding components should be carried out to detect any defective parts. Particular attention is paid to:

- The correct functioning of the stabilisers and castors, and the effectiveness of their brakes.
- The cleanliness and non-slip effect of the ladder bars.
- The cleanliness of the telescopic upright posts.
- The apparent deterioration of the base and the hooks.
- The adhesive parts being readable.
- The hold of the assemblies and the visual aspect of the parts.
- The correct operation of all locks (base body, brace, base, telescopic ladder uprights, etc.).
- If necessary and in case of doubt, replace the defective part with an original part. (According to page 35 After-Sales).

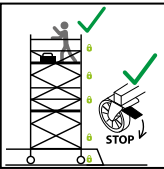
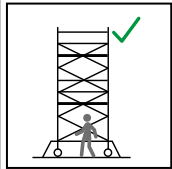
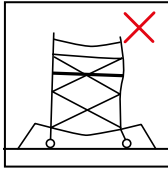
The person responsible for the scaffold must carry out checks before each use, as well as daily and quarterly checks. They must be able to justify these checks and their results if necessary.

- Prevent damage to the product during transport, e.g. by tying it down, and ensure that it is placed appropriately to prevent damage.
- When installing the ladder, take into account the risk of collision, e.g. collision of pedestrians, vehicles or doors. Secure doors (but not emergency exits) and windows on site, where possible.



## General safety instructions

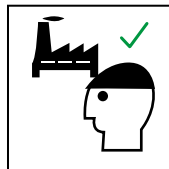
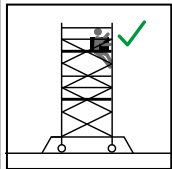
- All operations must be carried out by trained personnel in accordance with the sequence described in this manual and also in accordance with the Labour Code and the regulations in force.
- Use only DUARIB components listed in the parts list and in good condition.
- It is essential to follow the order of assembly given in these instructions.
- Follow how the different elements interlock.
- When performing any operations, check that the stabilisers are locked and in position and that the castors are locked.
- For any use not described in the manual, consult the manufacturer.
- Examine the product after delivery. Before each use, check that it is not damaged and that it is safe to use. Do not use a damaged product.



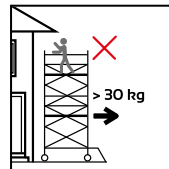
- Personal protective equipment must be worn for all operations.
- The elements can be hoisted by any suitable means (e.g. rope).
- Please note that the use of a gallows or winch is not permitted.
- Ensure that the product is suitable for the task.
- Use only with the brakes applied.
- All locking mechanisms on all extended steps must be checked and locked before use.
- When installing the ladder, take into account the risk of collision, e.g. collision of pedestrians, vehicles or doors. Secure doors (but not emergency exits) and windows on site, where possible."



- Maximum 1 person allowed.
- Maximum total load: 150 kg.



- Product for professional use.

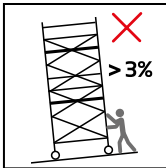
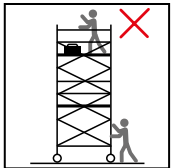


- The operator must not exert a horizontal force greater than 30 kg.

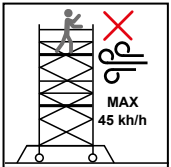
- Hold the ladder firmly when climbing up or down. If possible, hold onto the ladder with one hand while performing the task, otherwise take other safety measures.



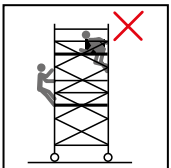
## General safety instructions



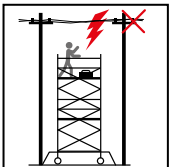
- The 4 castors must always be in contact with the ground in order to support the load and the structure's own weight (maximum load on one wheel: 150 kg).
- Check that the castors and stabilisers are on a hard and level floor.
- The scaffold may only be moved manually on solid ground free of obstacles (for soft ground, provide a runway), free of personnel and material, with the stabilisers leaving a small gap with the ground (3 cm).
- It is not permitted to move a rolling scaffold on a floor with a slope greater than 3%.



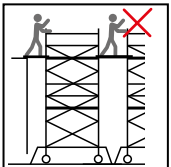
- Do not erect, use or move the scaffold in winds exceeding 45 km/h.
- The scaffold should be secured if the wind speed exceeds 45 km/h, by tying up or dismantling it.
- It is compulsory to dismantle the scaffolding if the wind speed is higher than 85 km/h.
- Watch out for turbulence near a building corner or under a porch.



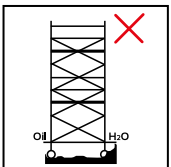
- It is not permitted to increase the working height beyond that stated in these instructions.
- It is not permitted to place a ladder or any other accessories on the base to raise the working height.
- It is not permitted to modify the structure of the rolling scaffold by adding a jib, winch or any other structure.
- The addition of tarpaulins or nets is not permitted.
- The castors are only adjusted to compensate for uneven floors.
- Climb up and down the scaffold only through the hatch in the base.
- Do not climb up or down in any other way than facing the platform.



- Before erecting, moving or using a mobile scaffold, check that you cannot approach a power supply (take into account the length of the equipment being handled) within 3m for a line of less than 50,000 volts and within 5m for a line of more than 50,000 volts.



- Jumping on the bases is prohibited.
- No bridge may be created between a rolling scaffold and a building or any other fixed or mobile structure.
- Do not use the scaffolding as a passage.
- It is not permitted to use planks as a base.



- Do not place the platform on uneven, irregular or unstable ground.
- Do not use a product that has, for example, fresh paint, mud, oil or snow.



- Do not use the scaffold if your health does not permit it. Certain medical conditions or medications, alcohol abuse or drug use may pose a danger when using the product.
- Do not stand on the scaffolding for too long without taking regular breaks (fatigue is a risk).
- Danger warning: risk of falling.



- Keep your hands away from the rung area.

## GUARANTEE

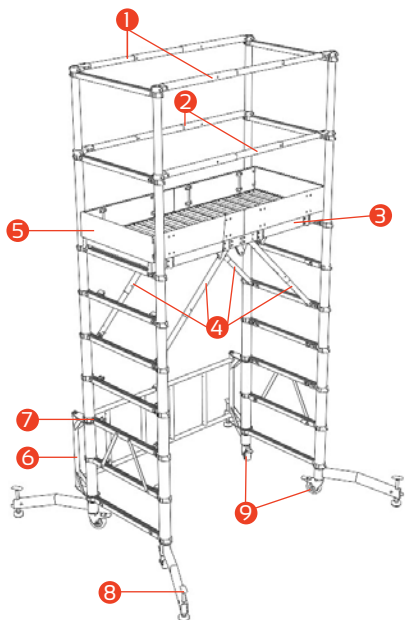
**Legal and regulatory guarantee:** The products marketed by the **Seller** comply with the legislation and/or regulations and/or standards in force and are guaranteed against all manufacturing defects, excluding parts subject to wear and tear, in accordance with the applicable legal and regulatory provisions.

**Contractual guarantee:** In addition to the applicable legal and regulatory guarantees, the **Seller** guarantees its equipment (unless special clauses are agreed between it and the **Customer** or appear in the catalogue sales conditions) for two years from the date of delivery, excluding:

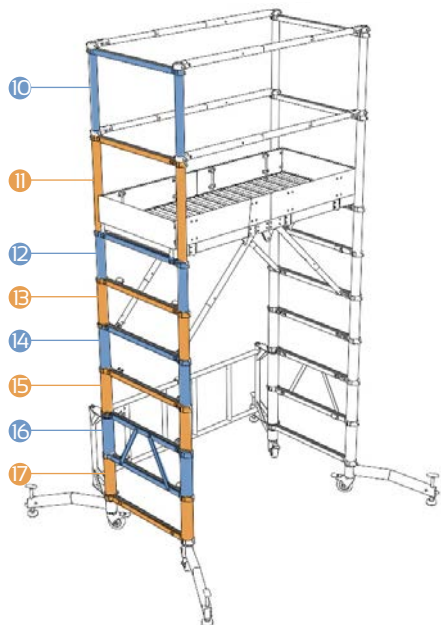
- Labour and travel costs,
- Wear parts,
- Wear and tear caused by lack of lubrication or maintenance or by impact,
- Damage caused by misuse,
- Products damaged during transport or handling,
- Use of the products under conditions that do not comply with those defined in the **Seller's** instructions for use,
- Products that have been modified without the consent of the **Seller**.

This contractual guarantee is limited to the simple exchange of the products considered to be defective, without giving the right to unspecified compensation or damages for any reason. The cost of the outward journey will be borne by the **Customer**, the cost of the return journey will be borne by the **Vendor**.

## IDENTIFIED TELETOWER COMPONENTS



No.	Code Duarib	Designation Duarib
1	PRI2141	Set of 2 side rails
2	PRI2142	Set of 2 side end rails
3	110300	Base
4	PRI2143	Base brace
5	PRI2144	Set of complete plinths
6	111000	Folding base
7	PRI2145	Closing strap hit
8	PRI2197	Stabiliser only
9	PRI2146	Set of 2 castors
	PRI2155	Complete set of 8 yellow buttons
	PRI2156	Kit of 10 red buttons
	PRI2209	Complete set of stickers
	PRI2208	Bag for plinths



No.		Designation Duarib
10	PRI2147	2 upright posts + 1 end rail
11	PRI2148	2 upright posts + 1 end sub-rail
12	PRI2149	2 upright posts + 1 bar
13	PRI2150	2 upright posts + 1 bar
14	PRI2151	2 upright posts + 1 bar
15	PRI2152	2 upright posts + 1 bar
16	PRI2153	2 upright posts with reinforcements + 1 bar
17	PRI2154	2 upright posts + 1 bar

**For all requests for the purchase of spare parts,  
contact the sales department:**

Route de la Limouzinière - BP 41 - 44310 Saint-Philbert de Grand-Lieu  
Tel. : +33 (0)2 40 78 97 22 - Email: [welcome@duarib.fr](mailto:welcome@duarib.fr)

## What do you need?



Product documentation

Assembly videos

Instructions for use

Regulatory information

Express quote

Height calculation

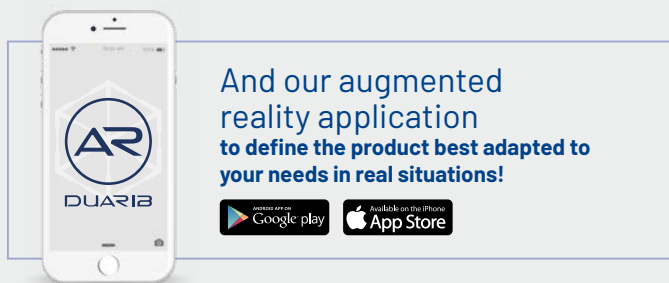
Spare parts

Other...

Find all these services on  
[duarib.fr](https://duarib.fr)

**Practical advice and  
videos to help you use  
your Duarib scaffolding better.**

**Tools to help you make  
decisions, produce quotations  
or develop your products.**



LET'S STAY CONNECTED



**SALES DEPARTMENT**  
Route de la Limouzinière - BP 41  
44 310 Saint-Philbert de Grand-Lieu  
Tel. : +33(0)2 40 78 97 22  
Email: [welcome@duarib.fr](mailto:welcome@duarib.fr)

**PARIS AGENCY**  
3 Rue Nicolas Robert - ZI des Mardelles  
93 600 Aulnay-sous-Bois  
Tel. : 01 48 69 40 00  
Email: [agenceparis@cdhgroup.com](mailto:agenceparis@cdhgroup.com)

